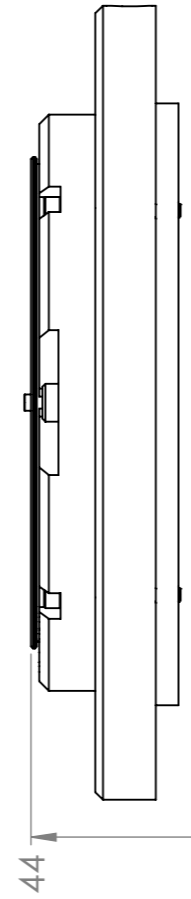
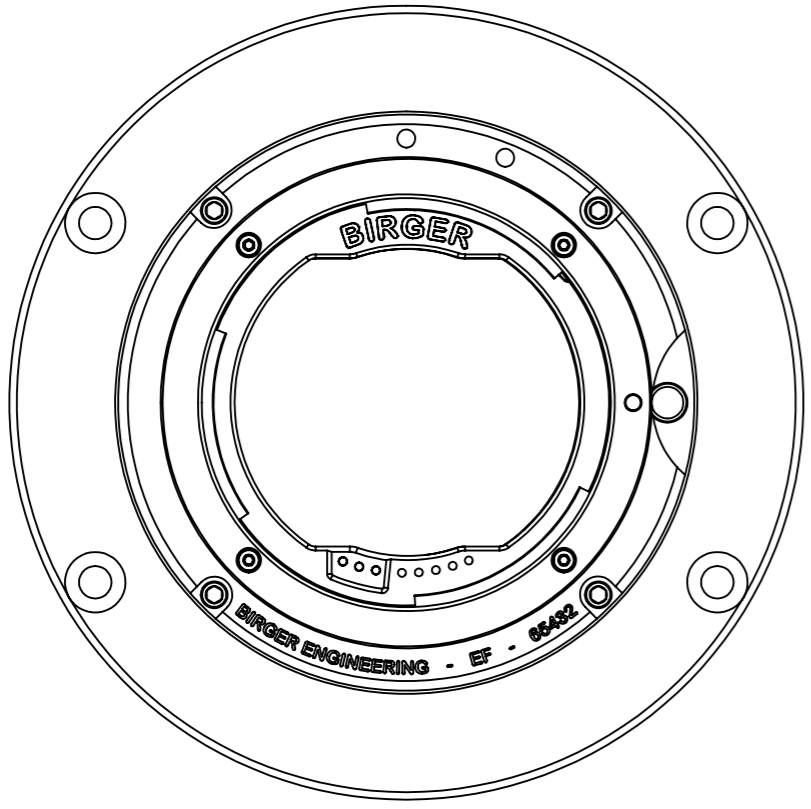


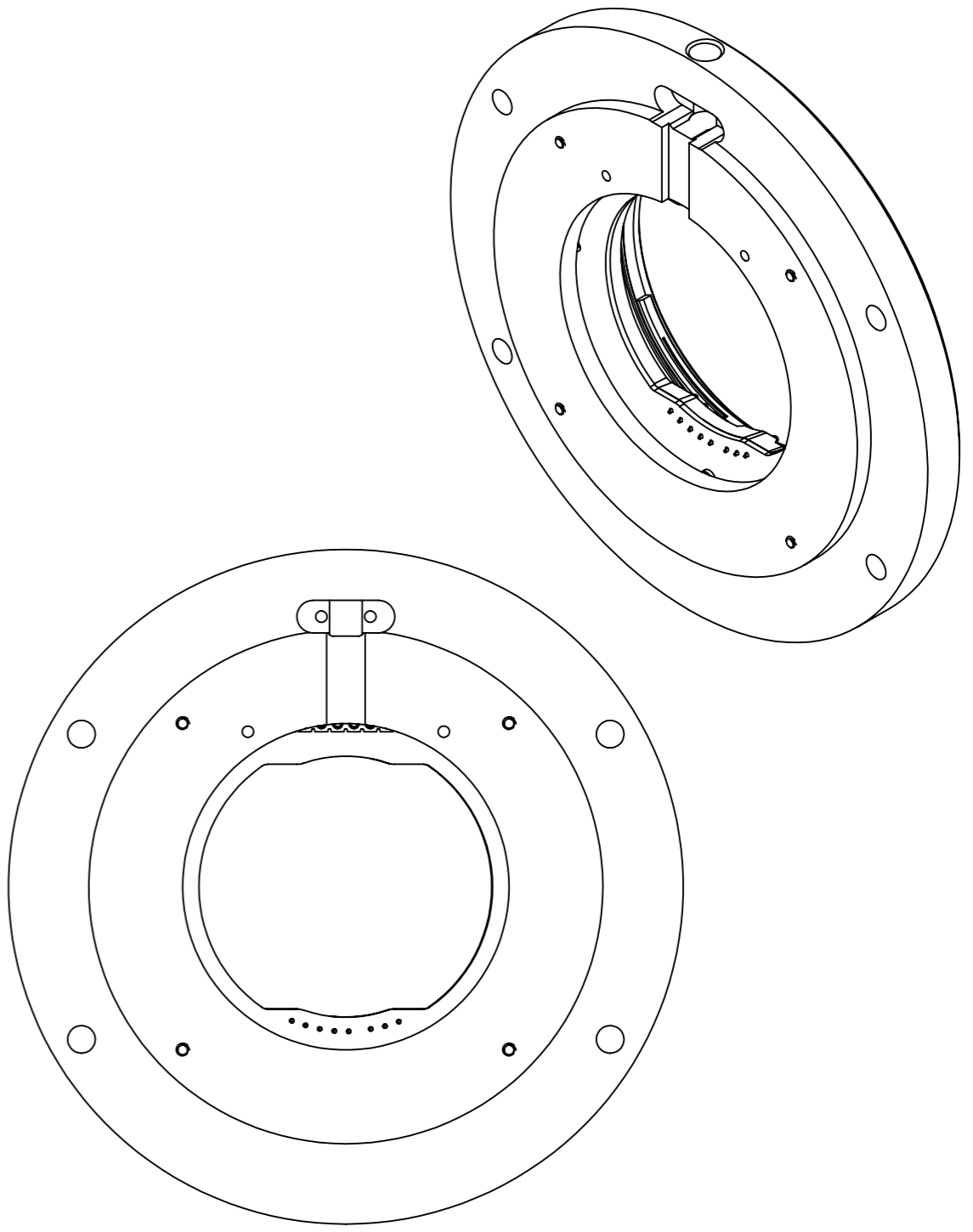
8 7 6 5 4 3 2 1

F
E
D
C
B
A



Focal Plane

0



F
E
D
C
B
A

8 7 6 5 4 3 2 1

| | | | | | |
|---|-----------|---------|--|------------------------------------|--|
| UNLESS OTHERWISE SPECIFIED: DIMENSIONS ARE IN MILLIMETERS SURFACE FINISH: TOLERANCES: LINEAR: ANGULAR: | | FINISH: | | DEBURR AND BREAK SHARP EDGES | |
| NAME | SIGNATURE | DATE | | | |
| DRAWN | | | | | |
| CHK'D | | | | | |
| APPV'D | | | | | |
| MFG | | | | | |
| Q.A | | | | MATERIAL: | |
| | | | | WEIGHT: | |



TITLE:
**Birger Canon EF Adapter
for Vision Research Phantom**
Uncontrolled: 20 October 2017
DWG NO.
rd-ef1-vr1-x
SCALE:1:1
SHEET 1 OF 1

A3